

PARTS LIST
HYDRAULIC COOLER
HYDRIVE 2010

Keep this parts lists with Installation, Operation and Maintenance Instructions.

To order the required spare parts, indicate the desired Reference(s).

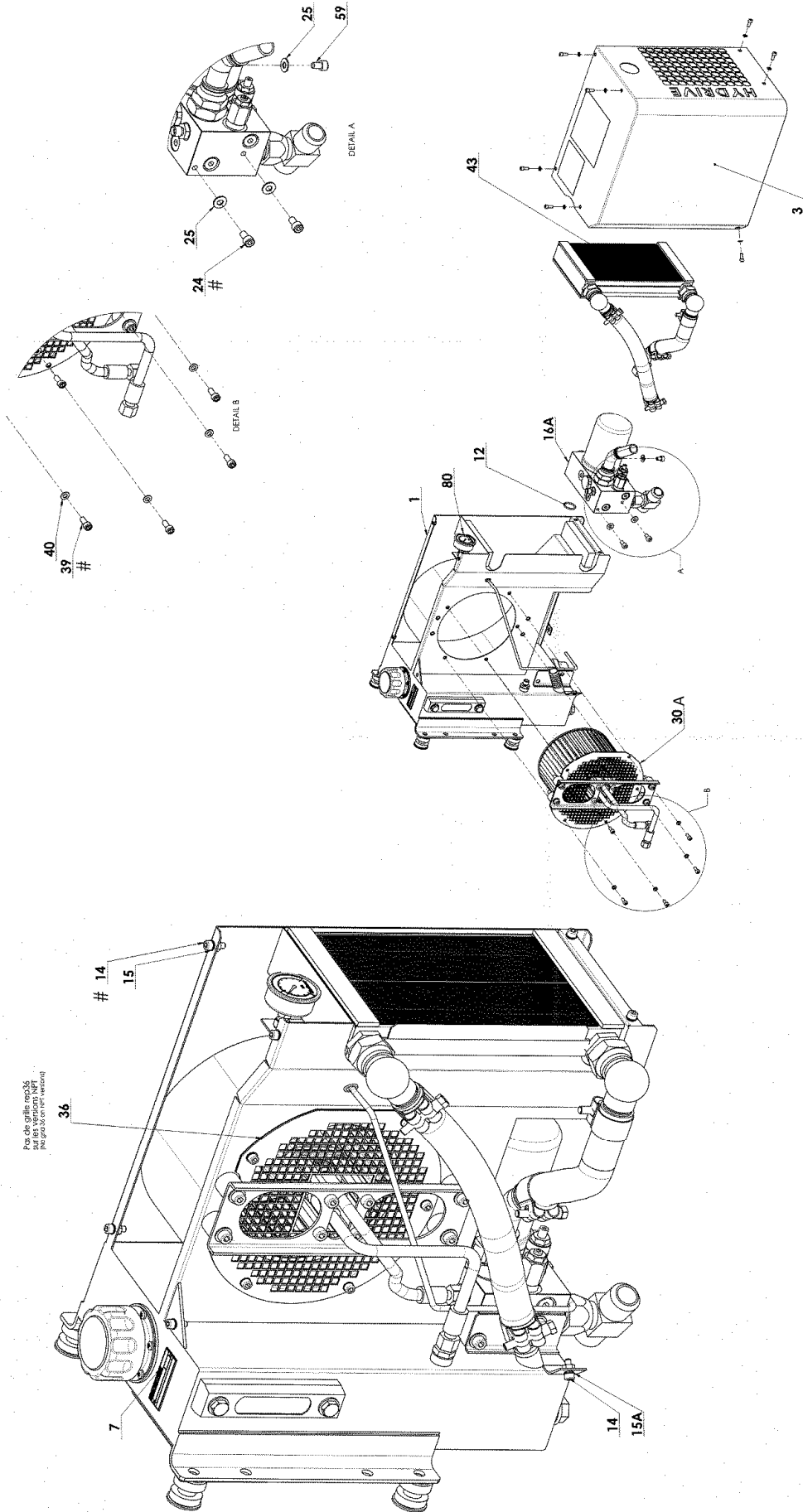
- ◆ Sets of parts or parts available to order.

Z.I. la Plaine des Isles - 2 rue des Caillottes F-89000 AUXERRE - France

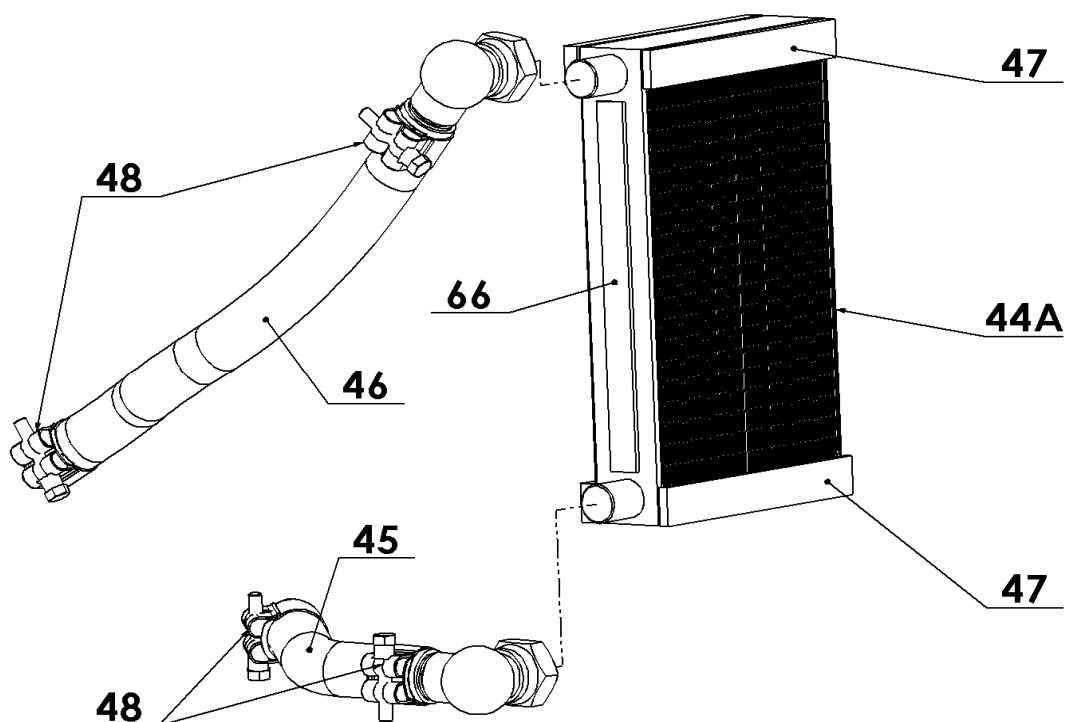
Tel : +33 (0)3 86 49 86 30 • Fax : +33 (0)3 86 49 87 17

contact@mouvex.com • www.mouvex.com

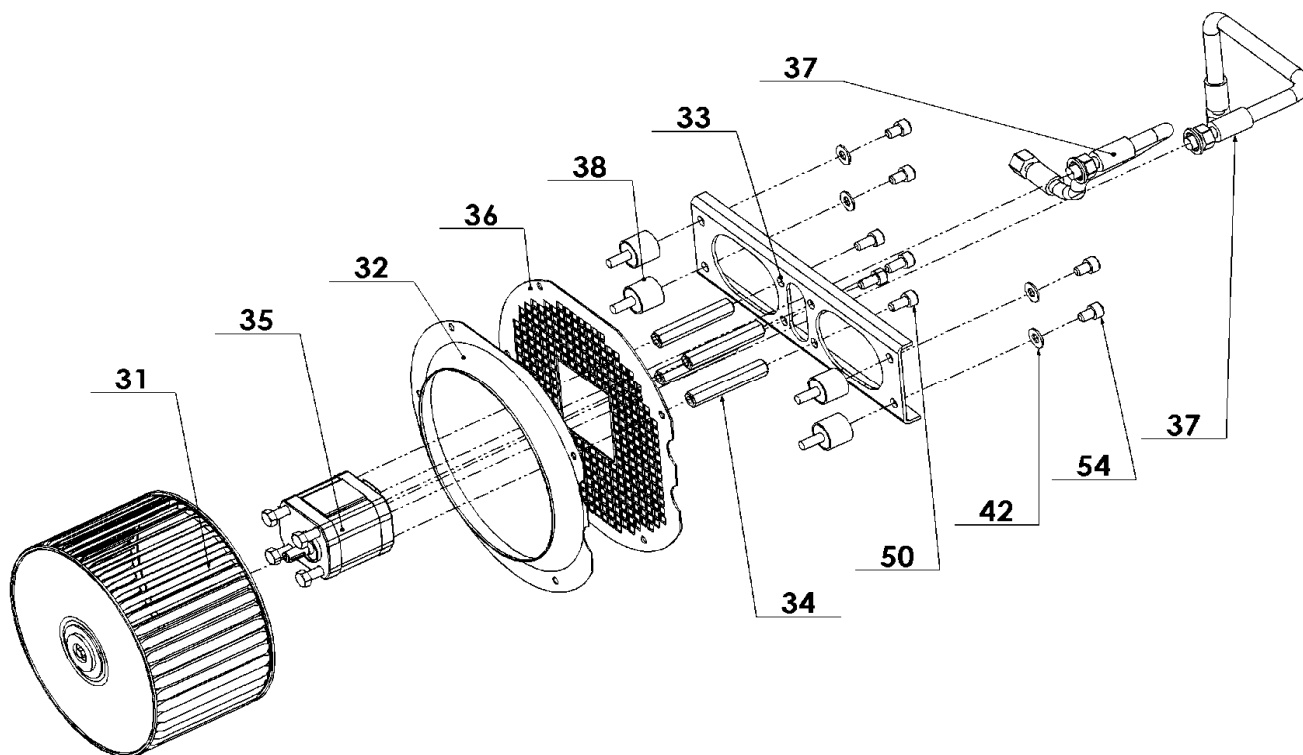
HYDRIVE 2010



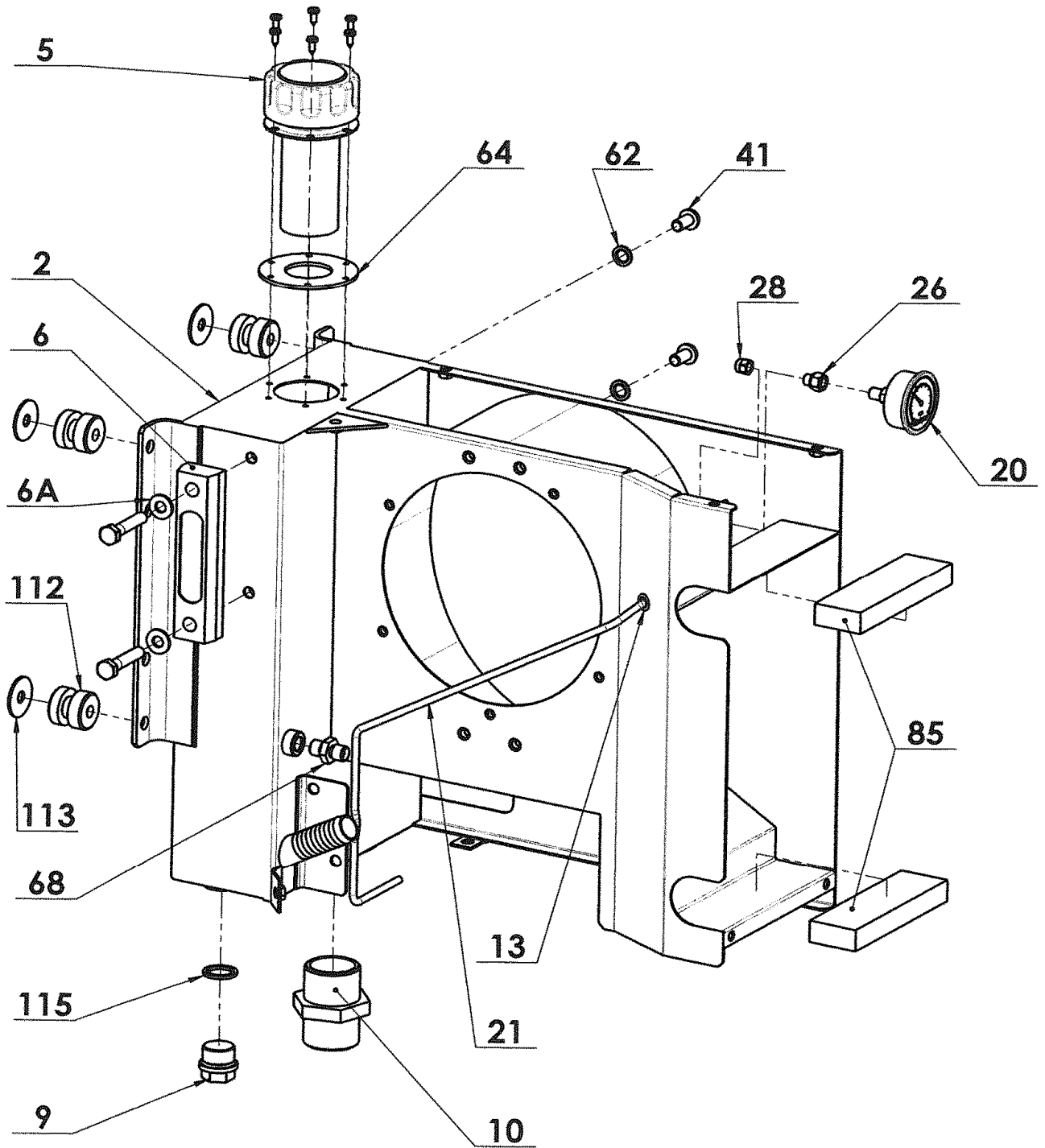
Radiator



Fan

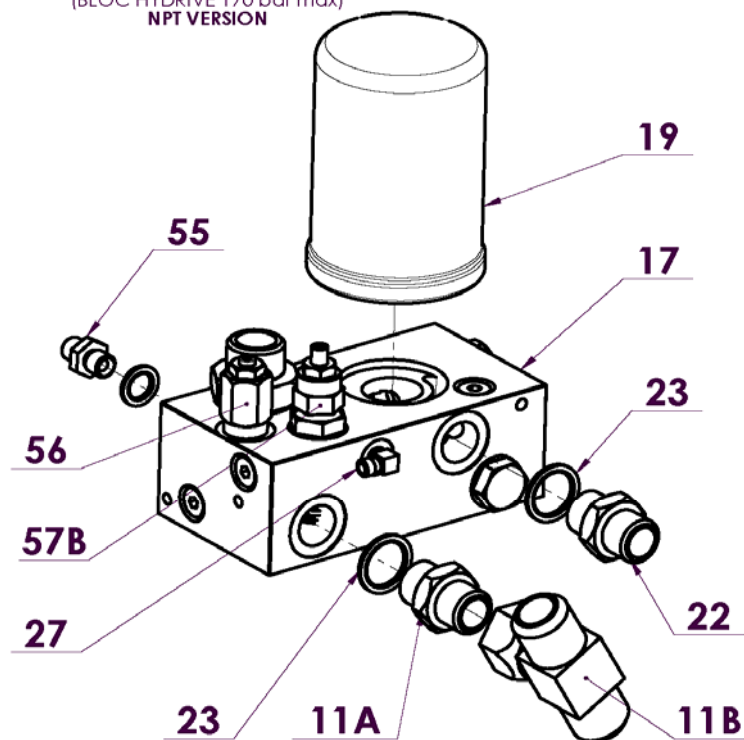


Tank

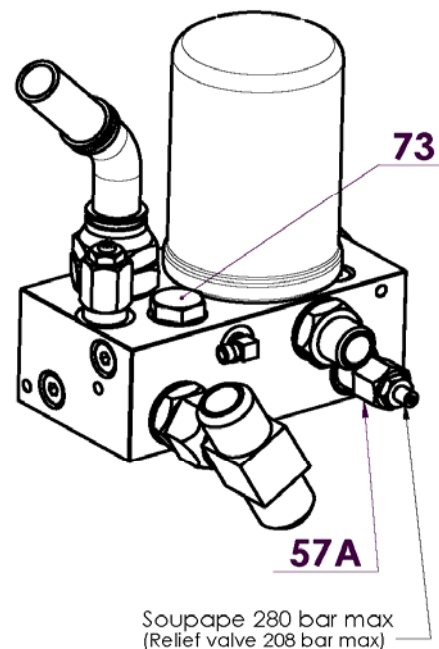


HYDRIVE 2010 Hydraulic bloc

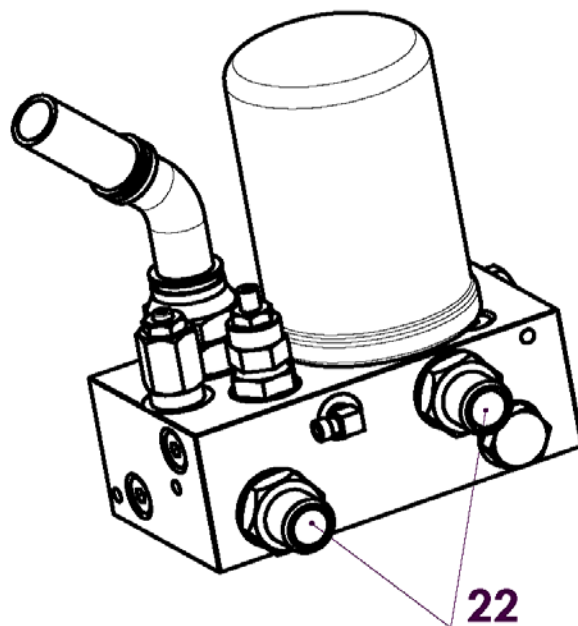
VALVE BLOCK HYDRIVE 170 bar max
(BLOC HYDRIVE 170 bar max)
NPT VERSION



VALVE BLOCK HYDRIVE 280 bar max
(BLOC HYDRIVE 280 bar max)



VALVE BLOCK HYDRIVE 170 bar max
(BLOC HYDRIVE 170 bar max)
BSP VERSION



HYDRIVE 2010

* 1, 2, 4... : Quantity in equipment - (1), (2), (4)... : Quantity in kit

Item	Available	Description	Qty*	Ref.	Maintenance kit	Wear part
1A	◆	TANK & COVER ASSEMBLY	1	312147.02		
2		TANK	(1)			
3	◆	COVER	1	219172		
5	◆	PLUG	1	219809	■	
6	◆	DIPSTICK & THERMOMETER	1	219175	■	
6A		WASHER	(2)			
9	◆	MAGNETIC PLUG	1	223770		
12	◆	SEAL	1	219931		
13	◆	RUBBER RING	1	205238		
14		SCREW	(7)			
15		WASHER	(6)			
15A		WASHER	(1)			
41		SCREW	(2)			
62	◆	SEAL WASHER	2	219731		
64	◆	SEAL	1	229123		
68	◆	CONNECTOR	1	219812		
115	◆	SEAL WASHER	1	220394		
16A	◆	HYDRIVE 2010 HYDRAULIC BLOC ASSEMBLY 170 BAR	1	312148.03		
16A	◆	HYDRIVE 2010 HYDRAULIC BLOC ASSEMBLY 280 BAR	1	313818.01		
17		HYDRIVE 2010 HYDRAULIC BLOC	(1)			
19	◆	HYDRIVE 2010 OIL FILTER	1	219185	■	●
24		SCREW	(2)			
25		WASHER	(3)			
27	◆	ELBOW 90°	1	219667		
59		SCREW	(1)			
80	◆	PRESSURE GAUGE ASSEMBLY	1	312554.01	■	
20	◆	PRESSURE GAUGE	1	219792		
21		HOSE	(1)			
26	◆	CONNECTOR	1	219668		
28	◆	CONNECTOR	1	219666		
30A	◆	RADIAL FAN ASSEMBLY HYDRIVE 2010	1	315820.00		
31	◆	RADIAL FAN WITH HUB	1	315240.00	■	
32	◆	DEFLECTOR	1	219194		
33	◆	MOTOR BRACKET	1	219195		
34		SPACER	(4)			
35	◆	HYDRAULIC MOTOR	1	219197	■	
36	◆	GRID (WITH BSP VERSION)	1	227053		
37	◆	HOSE	2	219199		
38		VIBRATION PAD	(4)			●
39		SCREW	(5)			
40		WASHER	(5)			
42		WASHER	(4)			
50		SCREW	(4)			
54		SCREW	(4)			
43	◆	RADIATOR ASSEMBLY HYDRIVE 2010	1	312152.01		
44A	◆	RADIATOR 2010 EQUIPPED	1	315148.00	■	
45	◆	HOSE	1	219203		
46	◆	HOSE	1	315641.01		
48	◆	HOSE CLAMP	4	228247		
55	◆	HYDRAULIC CONNECTOR	1	230862	■	
56	◆	FAN SPEED CONTROL VALVE	1	219221	■	
60	◆	ELBOW	1	219377		
72	◆	HYDRAULIC MOTOR SEAL KIT	1	226913		

HYDRIVE 2010

* 1, 2, 4... : Quantity in equipment - (1), (2), (4)... : Quantity in kit

Item	Available	Description	Qty*	Ref.	Maintenance kit	Wear part
75	◆	KIT BSP CONNECTORS HYDRIVE 2010	1	319295.00		
10		CONNECTOR BSP	(1)			
22		CONNECTOR BSP	(2)			
23		SEAL WASHER	(2)			
76	◆	KIT NPT CONNECTORS HYDRIVE 2010	1	319296.00		
10		CONNECTOR NPT	(1)			
11A		CONNECTOR NPT	(1)			
11B		T CONNECTOR NPT	(1)			
22		CONNECTOR NPT	(1)			
23		SEAL WASHER	(2)			
114	◆	HYDRIVE 2010 VIBRATION PAD KIT	1	313652.00	■	●
112		VIBRATION PAD	(4)			
113		WASHER	(4)			
137	◆	HYDRIVE 2010 FAN VIBRATION PAD KIT	1	314823.00	■	●
34		SPACER	(4)			
38		VIBRATION PAD	(4)			
42		WASHER	(4)			
54		SCREW	(4)			
1114	◆	HYDRAULIC BLOC CONVERTING KIT : 170 > 280 BAR	1	315296.00		
57A	◆	RELIEF VALVE 280 BAR	1	219220	■	
73		PLUG	(1)			
1114	◆	HYDRAULIC BLOC CONVERTING KIT : 280 > 170 BAR	1	315297.00		
57	◆	RELIEF VALVE 170 BAR	1	227050	■	
73		PLUG	(1)			

Interchangeability informations

Hydraulic bloc

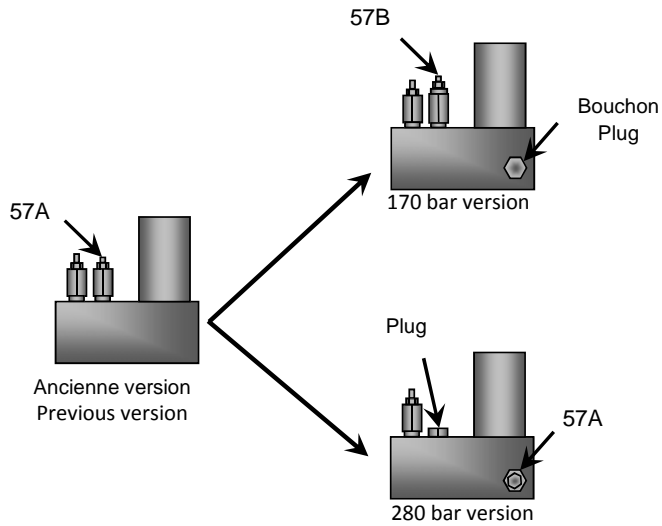
The hydraulic bloc has been upgraded in January 2010 to receive a new relief valve used until 170 bar, where as the previous one is still used but only above 170 bar.

As they are not interchangeable, there are two ports in the new bloc, the one not used is plugged.

In case of replacement of the relief valve, you need first to identify the model.

Please consider the following information.

Location of the relief valve



Identification of the relief valve

Item	Ref.	Mark
57A	219220	1AR60
57B	227050	1DR50



1 AR 60

1 DR 50