



P.L. : 1401-Z01

Effective
Replaces

January 2018
April 2017

PARTS LIST
SCREW COMPRESSOR
MH6

Keep this parts lists with Installation, Operation and Maintenance Instructions.

To order the required spare parts, indicate the desired Reference(s).

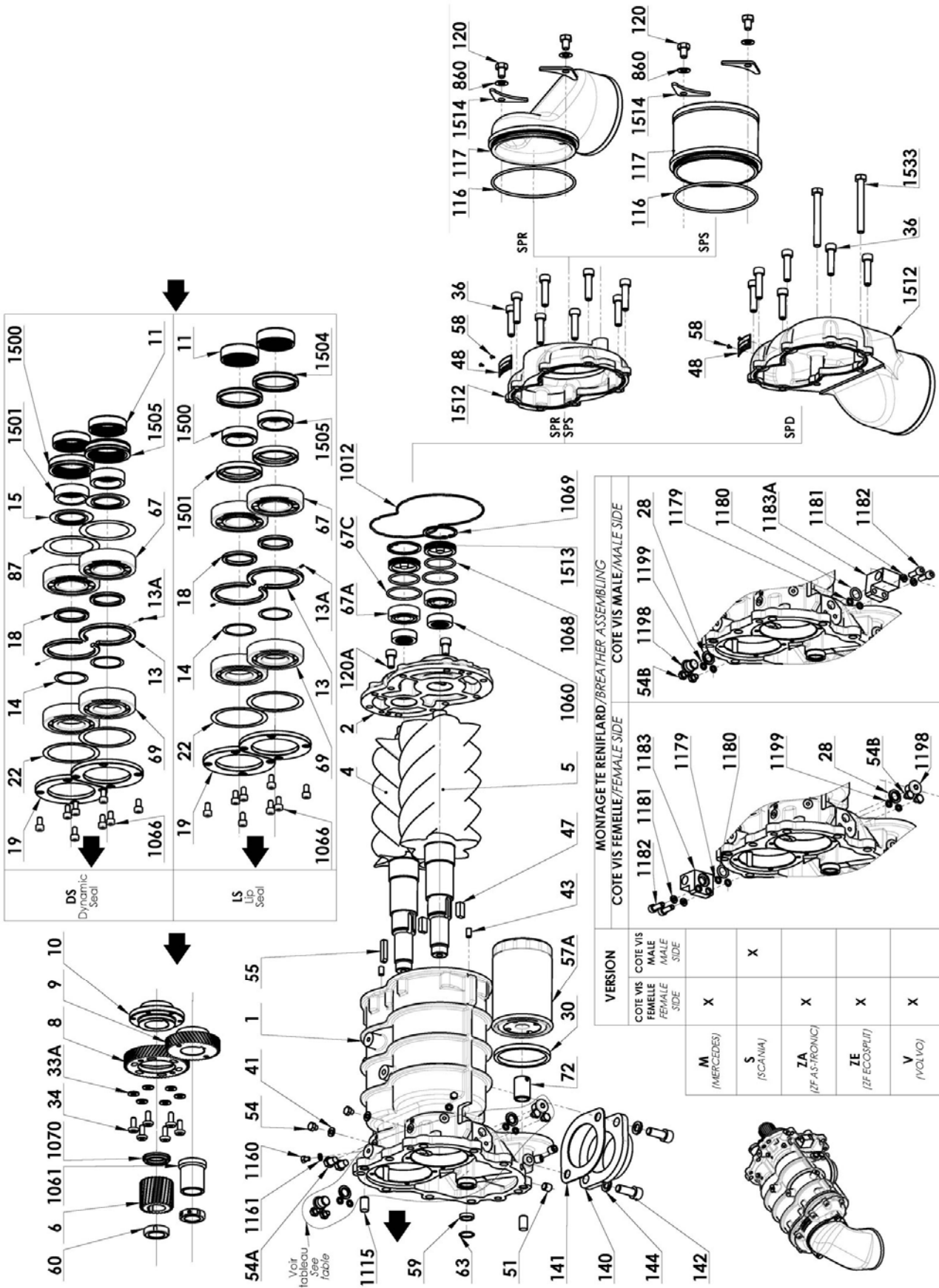
- ◆ Sets of parts or parts available to order.

[PSM] : ONLY FOR MOUVEX SERVICE POINTS

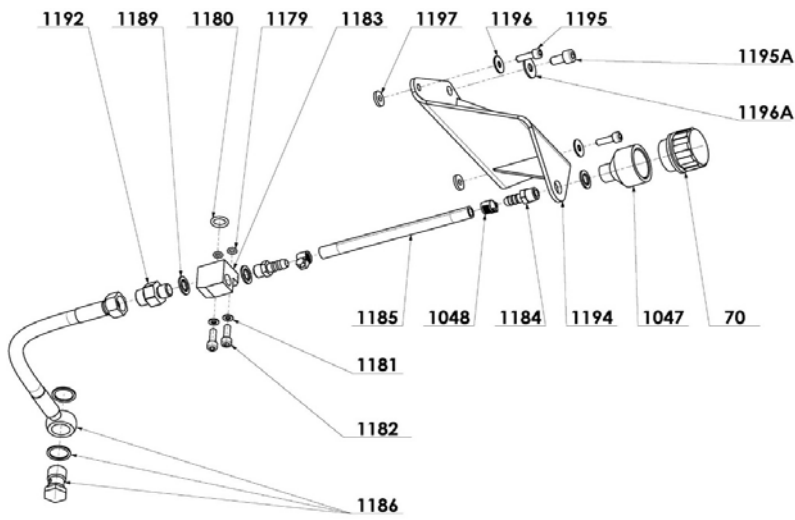
ACTION	MOUVEX MH6 SERVICE POINTS	OTHERS
Repairing	Allowed	Forbidden and voids the warranty. Compressor must be returned to MOUVEX Service Points or MOUVEX.

Z.I. la Plaine des Isles - 2 rue des Caillottes F-89000 AUXERRE - France
Tel : +33 (0)3 86 49 86 30 • Fax : +33 (0)3 86 49 87 17
contact@mouvex.com • www.mouvex.com

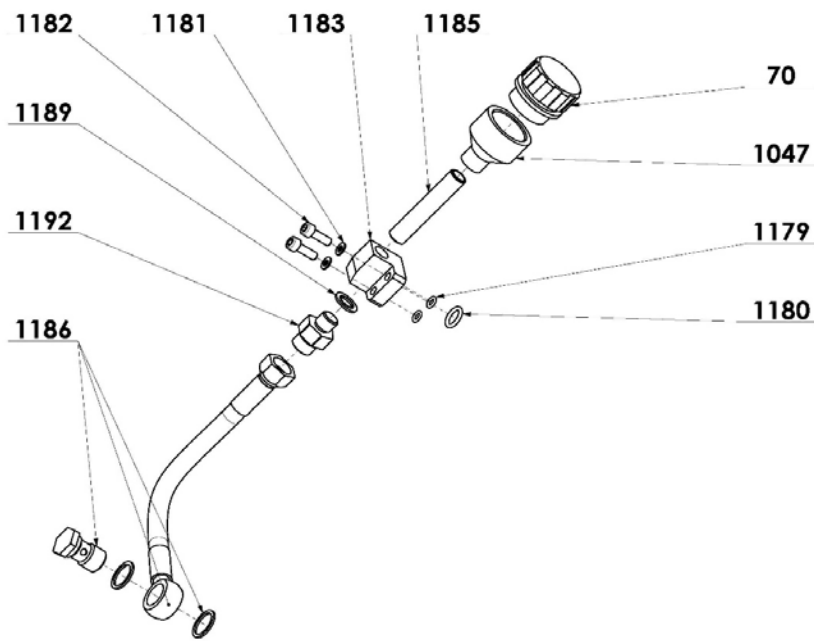
MH6 - DS (Dynamic Seal) & LS (Lip Seal)



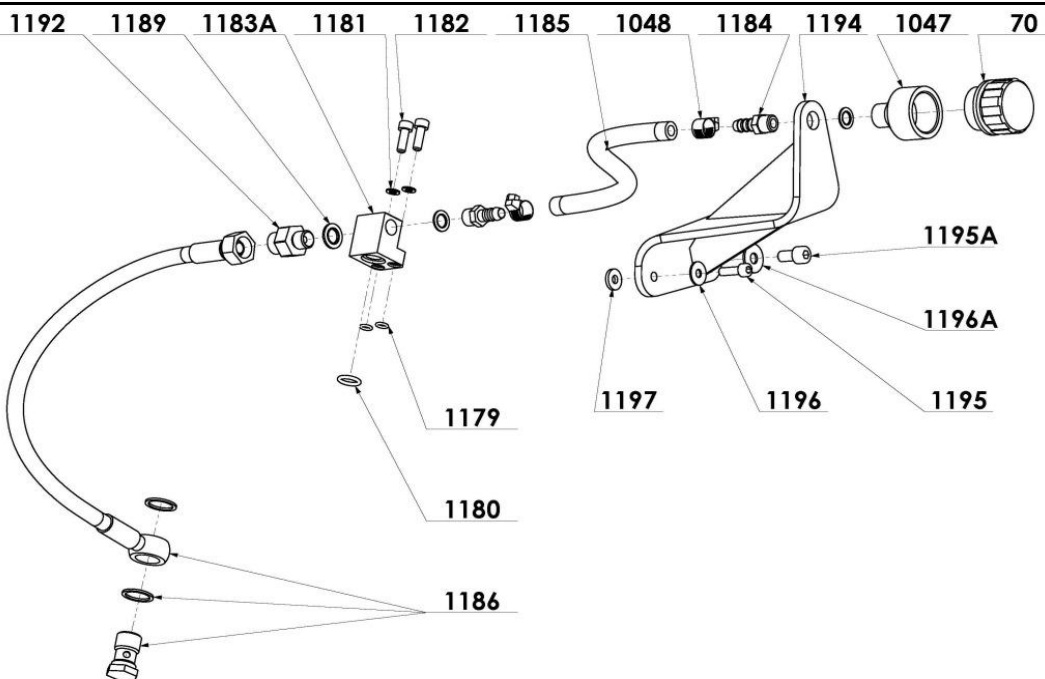
BREATHERS MH6 - DS



MB

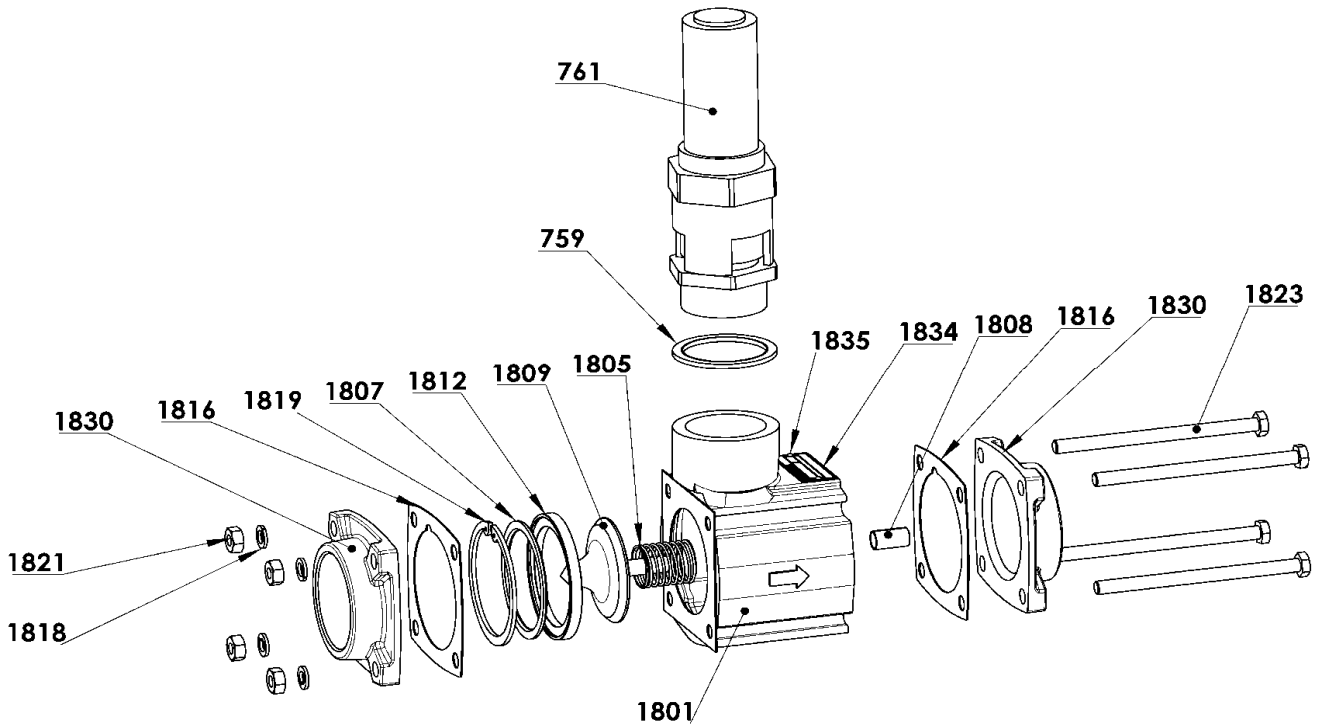


ZF AS-TRONIC

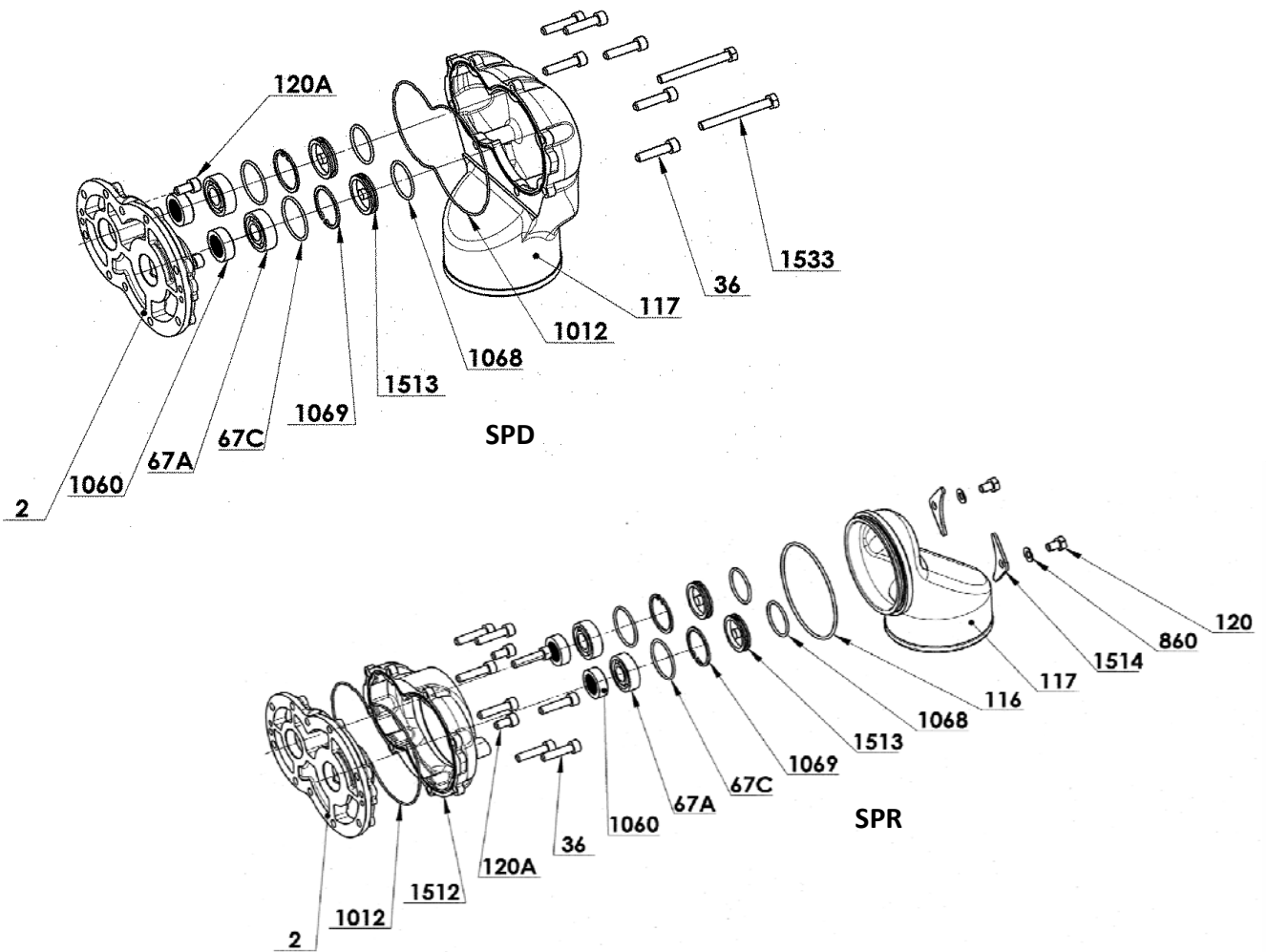


SCANIA

ACCESSORIES

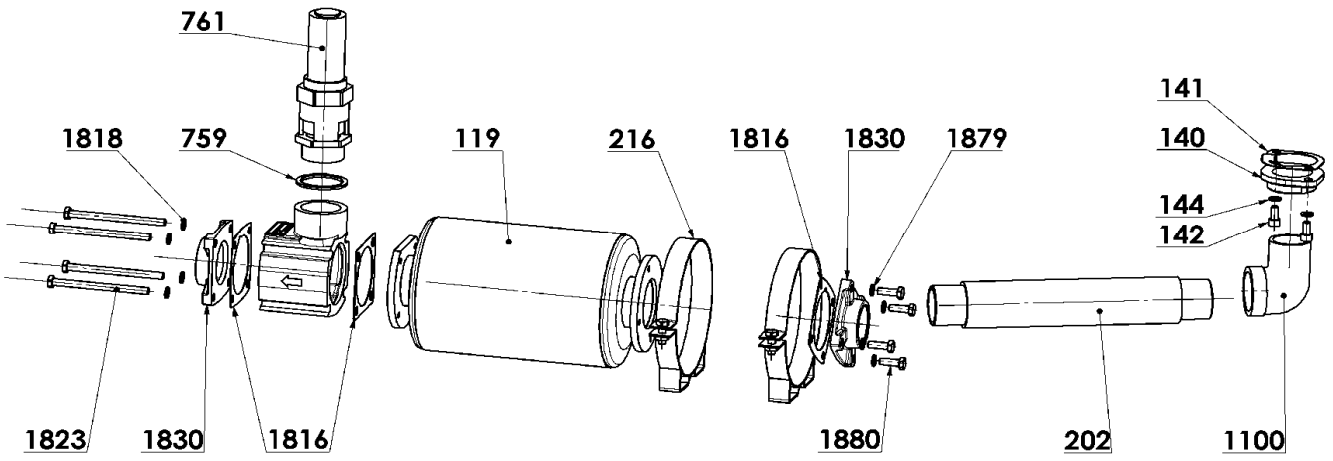


Check and relief valve

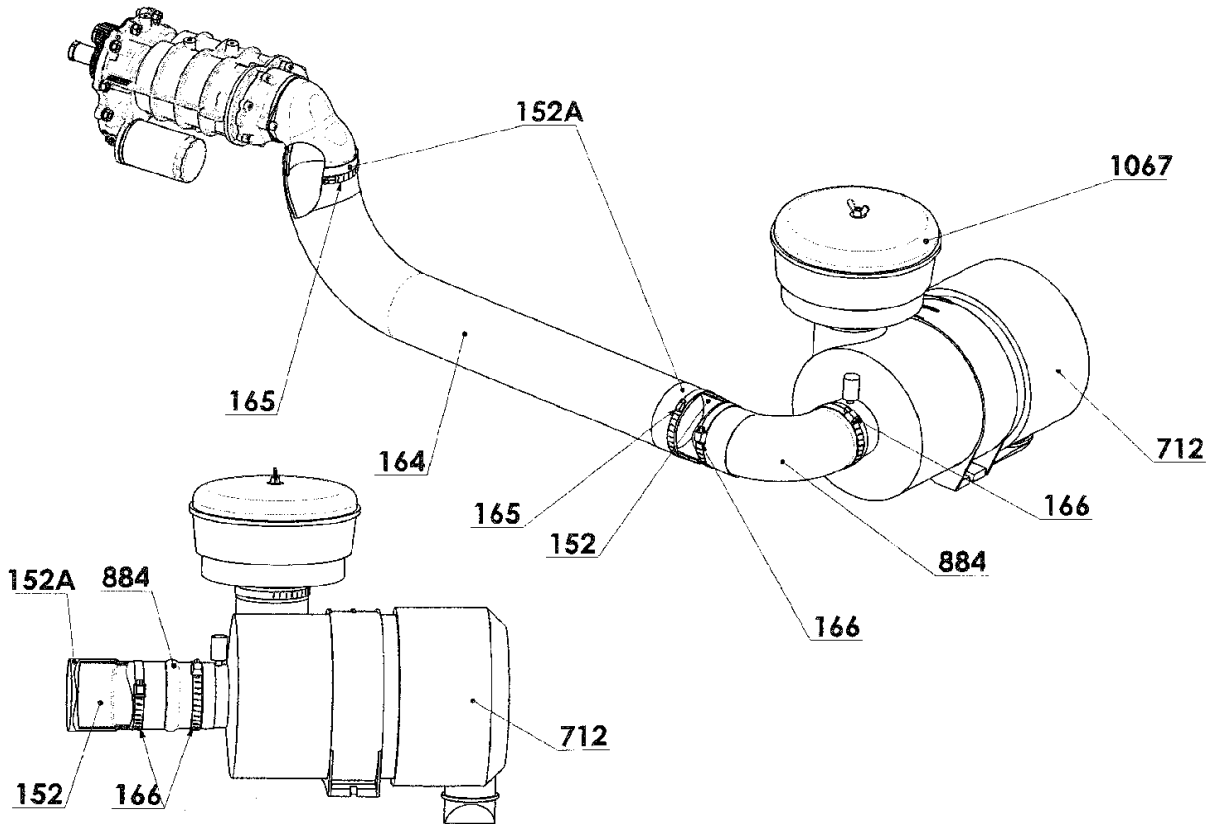


Kit suction pipe

ACCESSORIES

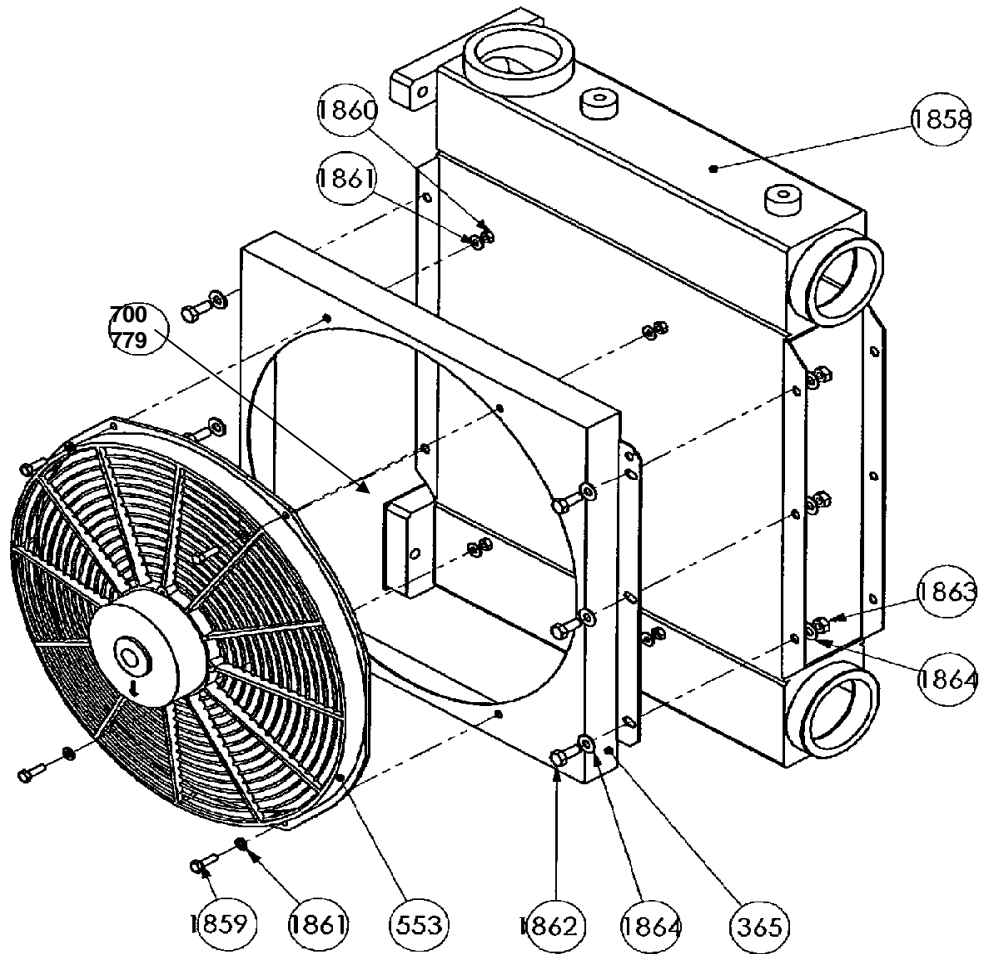


Silencer

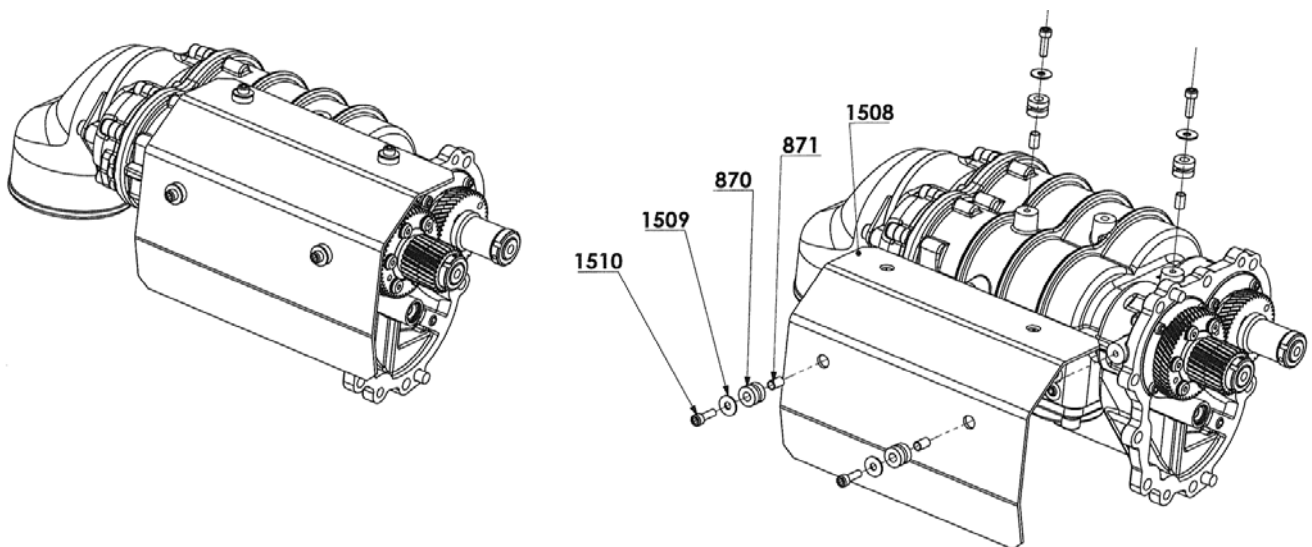


Air filter

ACCESSORIES



Intercooler



External cover assembly - MH6 LS

TOOLS (ONLY FOR MOUVEX MH6 SERVICE POINTS)



229735



229736



229737



229738



229739



229740



229741



229747



234848



316515.00



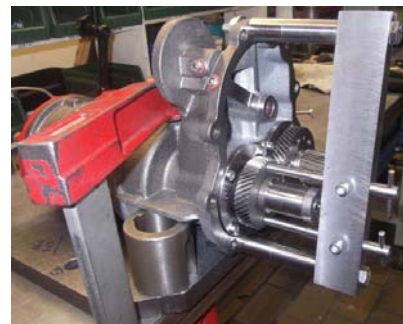
316506.01



316582.00



316581.00



316953.00

MH6

* 1, 2, 4... : Quantity in equipment - (1), (2), (4)... : Quantity in kit

Item	Available	Description	Qty*	Ref.	Maintenance kit	Wear part
1	◆	CASING [PSM]	1	227012		
2	◆	GEAR BOX MH6 [PSM]	1	229623		
57 (1) 30 57A	◆	OIL FILTER ASSEMBLY MH6 SEAL MH6 OIL FILTER	1 (1) (1)	315432.00	■	●
59	◆	LIP SEAL	1	227029		●
140	◆	MH6 DISCHARGE FLANGE	1	229751		
141	◆	GASKET	2	227610	■	
145	◆	SET OF SCREWS MH6 [PSM]	1	315343.00		
202	◆	DISCHARGE PRESSURE HOSE MH6	1	226674	■	●
1009	◆	PROTECTION GRID KIT SPD	1	317106.00		
1009	◆	PROTECTION GRID KIT SPR - SPS	1	317967.00		
1072	◆	COMPLETE BREATHER MERCEDES - DS	1	317130.01		
70	◆	PLUG	1	218847		
1047		CONNECTOR	(1)			
1048		HOSE CLAMP	(2)			
1179		SEAL	(2)			
1180		O-RING	(1)			
1181		SEAL WASHER	(2)			
1182		SCREW	(2)			
1183		FEMALE TEE	(1)			
1184		SERRATED SOCKET	(2)			
1185		HOSE	(1)			
1186		HOSE	(1)			
1189		SEAL WASHER	(3)			
1192		CONNECTOR	(1)			
1194		BRACKET	(1)			
1195		SCREW	(2)			
1195A		SCREW	(1)			
1196		WASHER	(2)			
1196A		WASHER	(1)			
1197		WASHER	(2)			
1197A		WASHER	(1)			
1072	◆	COMPLETE BREATHER SCANIA - DS	1	317137.02		
70	◆	PLUG	1	218847		
1047		CONNECTOR	(1)			
1048		HOSE CLAMP	(2)			
1179		SEAL	(2)			
1180		O-RING	(1)			
1181		SEAL WASHER	(2)			
1182		SCREW	(2)			
1183A		MALE TEE	(1)			
1184		SERRATED SOCKET	(2)			
1185		HOSE	(1)			
1186		HOSE	(1)			
1189		SEAL WASHER	(3)			
1192		CONNECTOR	(1)			
1194		BRACKET	(1)			
1195		SCREW	(2)			
1195A		SCREW	(1)			
1196		WASHER	(2)			
1196A		WASHER	(1)			
1197		WASHER	(2)			

(1) Only use filters recommended by MOUVEX in order to guarantee the proper functioning of the compressor.
This is equipped with a hightemperature resistant special seal.

MH6

* 1, 2, 4... : Quantity in equipment - (1), (2), (4)... : Quantity in kit

Item	Available	Description	Qty*	Ref.	Maintenance kit	Wear part
1072	◆	COMPLETE BREATHER VOLVO - DS	1	318512.00		
70	◆	PLUG	1	218847		
1047		CONNECTOR	(1)			
1048		HOSE CLAMP	(2)			
1179		SEAL	(2)			
1180		O-RING	(1)			
1181		SEAL WASHER	(2)			
1182		SCREW	(2)			
1183		FEMALE TEE	(1)			
1184		SERRATED SOCKET	(2)			
1185		HOSE	(1)			
1186		HOSE	(1)			
1189		SEAL WASHER	(3)			
1192		CONNECTOR	(1)			
1194		BRACKET	(1)			
1195		SCREW	(2)			
1195A		SCREW	(1)			
1196		WASHER	(2)			
1196A		WASHER	(1)			
1197		WASHER	(2)			
1197A		WASHER	(1)			
1072	◆	COMPLETE BREATHER ZF ASTRONIC_TRAXON - DS	1	317138.01		
70	◆	PLUG	1	218847		
1047		CONNECTOR	(1)			
1179		SEAL	(2)			
1180		O-RING	(1)			
1181		SEAL WASHER	(2)			
1182		SCREW	(2)			
1183		FEMALE TEE	(1)			
1185		HOSE	(1)			
1186		HOSE	(1)			
1189		SEAL WASHER	(1)			
1192		CONNECTOR	(1)			
1072	◆	COMPLETE BREATHER ZF ECOSPLIT - DS	1	318769.00		
70	◆	PLUG	1	218847		
1047		CONNECTOR	(1)			
1048		HOSE CLAMP	(2)			
1179		SEAL	(2)			
1180		O-RING	(1)			
1181		SEAL WASHER	(2)			
1182		SCREW	(2)			
1183		FEMALE TEE	(1)			
1184		SERRATED SOCKET	(2)			
1185		HOSE	(1)			
1186		HOSE	(1)			
1189		SEAL WASHER	(3)			
1192		CONNECTOR	(1)			
1081	◆	GASKET PTO	1	227442	■	
1156	◆	DRIVING GEAR RATIO C SET [PSM]	1	315626.00		
1156	◆	DRIVING GEAR RATIO E SET [PSM]	1	315627.00		
6		GEAR	(1)			
55		KEY	(1)			
60		BEARING NUT	(1)			

MH6

* 1, 2, 4... : Quantity in equipment - (1), (2), (4)... : Quantity in kit

Item	Available	Description	Qty*	Ref.	Maintenance kit	Wear part
1162	◆	CASING KIT [PSM]	1	316510.01		
1	◆	CASING [PSM]	1	227012		
41		WASHER	(2)			
43		PIN	(2)			
48		SERIAL NUMBER PLATE	(1)			
51		PLUG	(3)			
54		SCREW	(2)			
54A		PLUG	(2)			
58		RIVET	(2)			
59	◆	LIP SEAL	1	227029		●
63		CIRCLIPS	(1)			
72		RING	(1)			
1115		PIN	(2)			
1160		SCREW	(2)			
1161		SEAL	(2)			
1191	◆	BREATHER PLUG KIT - MH6	2	317142.00		
1163	◆	SET OF BRONZE SEALS LS [PSM]	1	316511.00		
11		BRONZE SEAL	(2)			
1060		BRONZE SEAL	(2)			
1163A	◆	SET OF BRONZE SEALS - DS [PSM]	1	317961.01		
11		BRONZE SEAL	(2)			
1060		BRONZE SEAL	(2)			
1164	◆	BEARINGS KIT [PSM]	1	316512.00		
67		BALL BEARING	(2)			
67A		BALL BEARING	(2)			
67C		O-RING	(2)			
69		THRUST BALL BEARING	(2)			
1165	◆	SYNCHRONIZATION GEARS MH6 [PSM]	1	316513.00		
8		SYNCHRONIZATION GEAR 54 TEETH	(1)			
9		SYNCHRONIZATION GEAR 45 TEETH	(1)			
33A		WASHER	(6)			
34		SCREW	(6)			
1166	◆	SET OF SHIMS [PSM]	1	316514.00		
14		SET OF SHIMS	(2)			
18		SET OF SHIMS	(2)			
22		SET OF SHIMS	(2)			
1167	◆	SET OF SCREWS KEYS PINS [PSM]	1	316507.00		
33A		WASHER	(6)			
34		SCREW	(6)			
43		PIN	(2)			
47		KEY	(2)			
55		KEY	(1)			
1066		SCREW	(8)			
1115		PIN	(2)			

MH6

* 1, 2, 4... : Quantity in equipment - (1), (2), (4)... : Quantity in kit

Item	Available	Description	Qty*	Ref.	Maintenance kit	Wear part
1168	◆	LIP SEAL KIT - LS [PSM]	1	316508.01		
59	◆	LIP SEAL	1	227029		●
63		CIRCLIPS	(1)			
1500		MH6 SLEEVE LH	(1)			
1501		RIGHT LIP	(2)			
1504		SPACER	(2)			
1505		MH6 SLEEVE RH	(1)			
1168A	◆	BRONZE SEALS KIT - DS [PSM]	1	317965.01		
15		CENTRIFUGATION DISK	(2)			
87		DEFLECTOR	(2)			
1500		BUSHING	(1)			
1501		RING	(2)			
1505		BUSHING	(1)			
1169	◆	BEARING NUTS KIT [PSM]	1	316509.00		
60		BEARING NUT	(2)			
1191	◆	BREATHER PLUG KIT - MH6 DS	1	317142.00		
1191	◆	BREATHER PLUG KIT - MH6 LS	2	317142.00		
1507	◆	EXTERNAL COVER ASSEMBLY - MH6 LS	1	315585.01		
870		RUBBER RING	(4)			
871		RING	(4)			
1508		EXTERNAL COVER	(1)			
1509		WASHER	(4)			
1510		SCREW	(4)			
1562	◆	SERVICE TOOLS MH6 [PSM]	1	316795.00		
1550	◆	TOOL BRONZE SEAL EXTRACTOR [PSM]	1	316506.01		
1551	◆	TOOL BRONZE SEAL ASSEMBLING (CASING) [PSM]	1	229740		
1552	◆	TOOL SMALL LIP SEALS ASSEMBLING [PSM]	1	229741		
1553	◆	TOOL BRONZE SEAL ASSEMBLING (GEAR BOX) [PSM]	1	229735		
1554	◆	TOOL GEARBOX BEARING ASSEMBLING EXT RING [PSM]	1	229736		
1555	◆	TOOL SLEEVES ASSEMBLING [PSM]	1	229739		
1556	◆	TOOL LIP SEALS ASSEMBLING STABBING CONE [PSM]	1	229747		
1557	◆	TOOL LIP SEALS ASSEMBLING LS [PSM]	1	229738		
1557A	◆	TOOL ASSEMBLING FOR BRONZE SEALS - DS [PSM]	1	234848		
1558	◆	TOOL GEARBOX BEARING ASSEMBLING [PSM]	1	229737		
1559	◆	TOOL SHAFT ASSEMBLING (COMPARATOR) [PSM]	1	316515.00		
1560	◆	TOOL SCREW LOCK [PSM]	1	316581.00		
1561	◆	TOOL SYNCHRONIZATION GEARS LOCK [PSM]	1	316582.00		
1592	◆	TOOL SYNCHRONIZATION GEARS LOCK [PSM]	1	316953.00		
1879	◆	SEALS_SCREWS KIT FOR CHECK VALVE (NOT ASSEMBLED)	1	314413.00	■	
759		SEAL WASHER	(1)			
1816	◆	GASKET	2	220562	■	
1818		WASHER	(4)			
1821		NUT	(4)			
1823		SCREW	(4)			
1880	◆	SEALING KIT FOR CHECK VALVE (NOT ASSEMBLED)	1	314412.00	■	
1805		SPRING	(1)			
1807		WASHER	(1)			
1808		BUSH	(1)			
1812		SEAL	(1)			
1819		CIRCLIPS	(1)			

MH6

* 1, 2, 4... : Quantity in equipment - (1), (2), (4)... : Quantity in kit

Item	Available	Description	Qty*	Ref.	Maintenance kit	Wear part
1913	◆	KIT SUCTION PIPE ROTARY (SPR)	1	316729.00		
36		SCREW	(8)			
116	◆	O-RING	1	200760	■	
117		SUCTION PIPE	(1)			
120		SCREW	(2)			
120A		SCREW	(2)			
860		WASHER	(2)			
1012	◆	O-RING	1	229622	■	
1512		SUCTION COVER	(1)			
1514	◆	CLAMP	2	228804		
1913	◆	KIT SUCTION PIPE DOWN (SPD)	1	316730.00		
36		SCREW	(6)			
117		SUCTION PIPE	(1)			
120A		SCREW	(2)			
1012	◆	O-RING	1	229622	■	
1533		SCREW	(2)			
1913	◆	KIT SUCTION PIPE STRAIGHT (SPS)	1	316731.00		
36		SCREW	(8)			
116	◆	O-RING	1	200760	■	
117		SUCTION PIPE	(1)			
120		SCREW	(2)			
120A		SCREW	(2)			
860		WASHER	(2)			
1012	◆	O-RING	1	229622	■	
1512		SUCTION COVER	(1)			
1514	◆	CLAMP	2	228804		

ACCESSORIES

* 1, 2, 4... : Quantity in equipment - (1), (2), (4)... : Quantity in kit

Item	Available	Description	Qty*	Ref.	Maintenance kit	Wear part
119	◆	SILENCER ASSEMBLY	1	315554.02	■	
1816	◆	(119+216+1816+1823+1879+1880) (2) GASKET	(2)	220562	■	
153	◆	SUCTION HOSE KIT (MH6)	1	315636.01	■	
152A	◆	(152A+164+165) HEAT SHRINKABLE SLEEVE (MH6)	(2)	228763		
153A	◆	COMPLEMENTARY CONNECTION KIT (TO FIT THE FILTER BEHIND THE CAB)	1	315571.00	■	
		(152+166+884)				
154	◆	AIR FILTER ASSEMBLY FC7 WITH STRAIGHT OUTLET	1	313690.01	■	
154	◆	AIR FILTER ASSEMBLY FC7 WITH 90° OUTLET	1	315553.00	■	
161	◆	(152+154+161+166+884) FILTER ELEMENT FC7	(1)	223650	■	●
175	◆	INTERCOOLER ASSEMBLY	1	314123.01	■	
		(365+553+700+735+779+792+793+794+1858+1859+1860+1861+1862+1863+1864)				
524	◆	CHECK RELIEF VALVE 2" _2.5" 2 BAR	1	316109.00	■	
524	◆	CHECK RELIEF VALVE 2" _2.5" 2.3 BAR	1	316108.00	■	
524	◆	CHECK RELIEF VALVE 2" _2.5" 2.5 BAR	1	316107.00	■	
1816	◆	(759+761+1801+1805+1807+1808+1809+1812+1816+1818+1819+1821+1823+1830+1831+1834+1835+1883) GASKET	(2)	220562	■	
1830	◆	FLANGE 2.5" BSP	(1)	227439		
1883	◆	FLANGE 2" BSP	(1)	227419		
1885	◆	CHECK RELIEF VALVE 3" 2.5 BAR WITHOUT RELIEF VALVE	1	316495.00		
759		SEAL WASHER	(1)			
1801		CHECK VALVE CASING	(1)			
1805		SPRING	(1)			
1807		WASHER	(1)			
1808		BUSH	(1)			
1809		VALVE	(1)			
1812		SEAL	(1)			
1816	◆	GASKET	2	220562	■	
1818		WASHER	(4)			
1819		CIRCLIPS	(1)			
1821		NUT	(4)			
1823		SCREW	(4)			
1830	◆	FLANGE 2.5" BSP	1	227439		
1831		OBTURATOR	(2)			
1834		SERIAL NUMBER PLATE	(1)			
1835		PIN	(2)			
1883	◆	FLANGE 2" BSP	1	227419		
778	◆	COMPLETE RELIEF VALVE 2 BAR	1	313477.00	■	
778	◆	COMPLETE RELIEF VALVE 2.3 BAR	1	313494.00	■	
778	◆	COMPLETE RELIEF VALVE 2.5 BAR	1	313473.00	■	
		(759+761)				
1100	◆	ELBOW 90°	1	227080	■	
1118	◆	ELBOW 45°	1	227389	■	
1881	◆	FLANGE KIT 2" BSP	1	315567.00	■	
1830	◆	(1816+1830+1879+1880) FLANGE 2" BSP	(2)	227419		

(2) Item 1823 to be used only if the check relief valve is flanged on the silencer.