



P.L. : 1005-A01

Effective
Replaces

November 2014
October 2013

PARTS LIST

PUMP

AB H

Keep this parts lists with Installation, Operation and Maintenance Instructions.

To order the required spare parts, indicate the desired Reference(s).

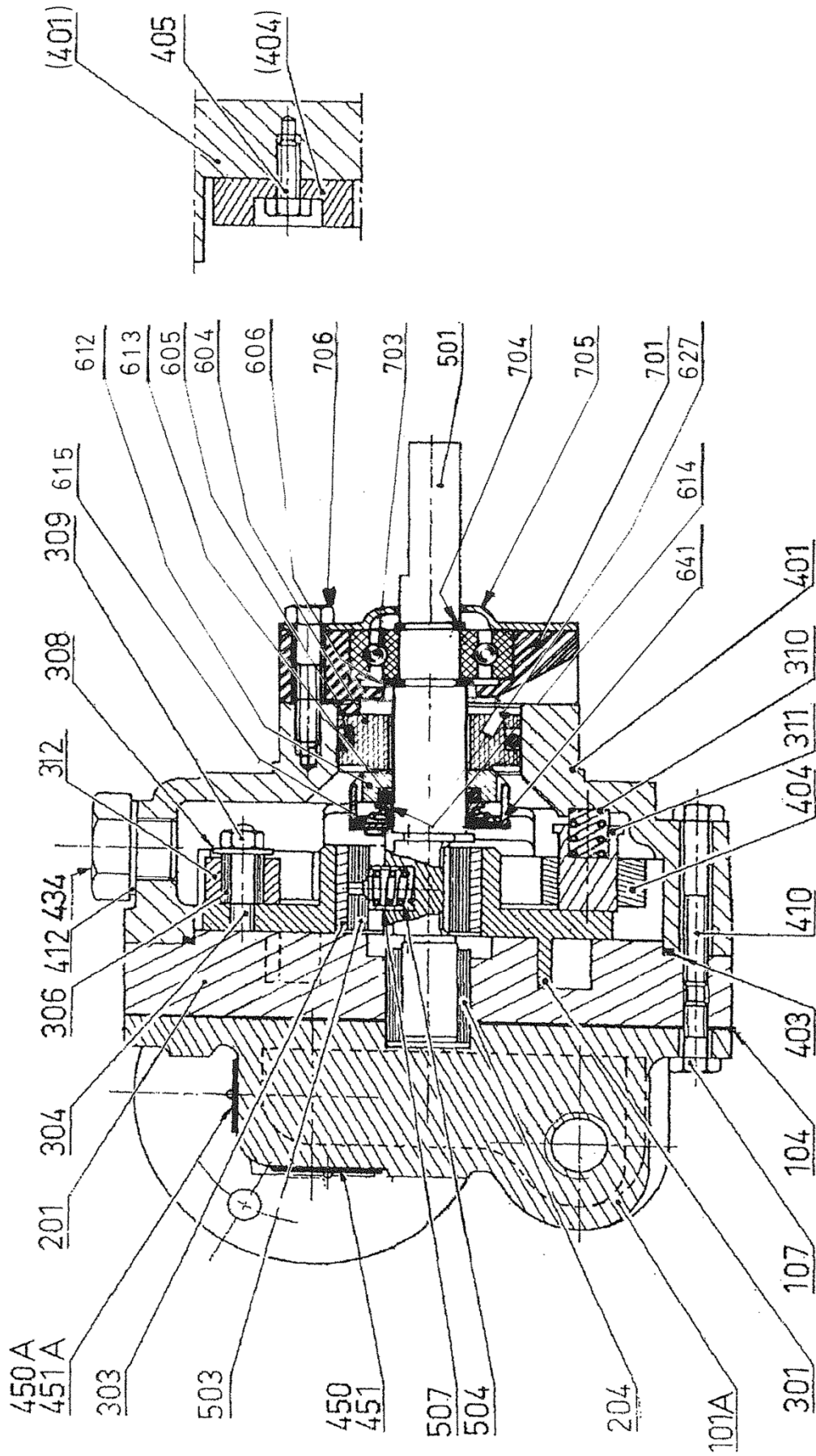
- ◆ Sets of parts or parts available to order.

Z.I. la Plaine des Isles - 2 rue des Caillottes F-89000 AUXERRE - France

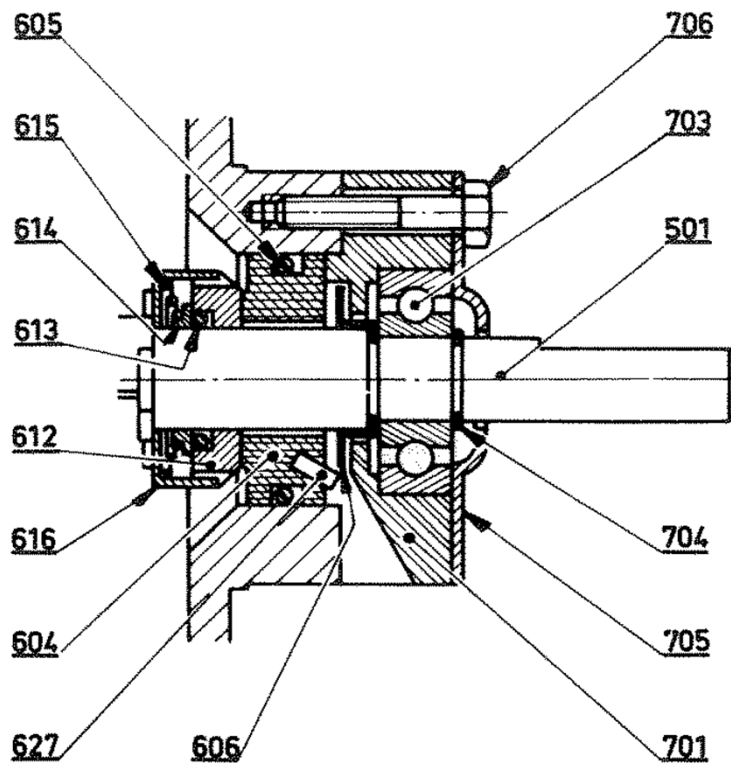
Tel : +33 (0)3 86 49 86 30 • Fax : +33 (0)3 86 49 87 17

contact@mouvex.com • www.mouvex.com

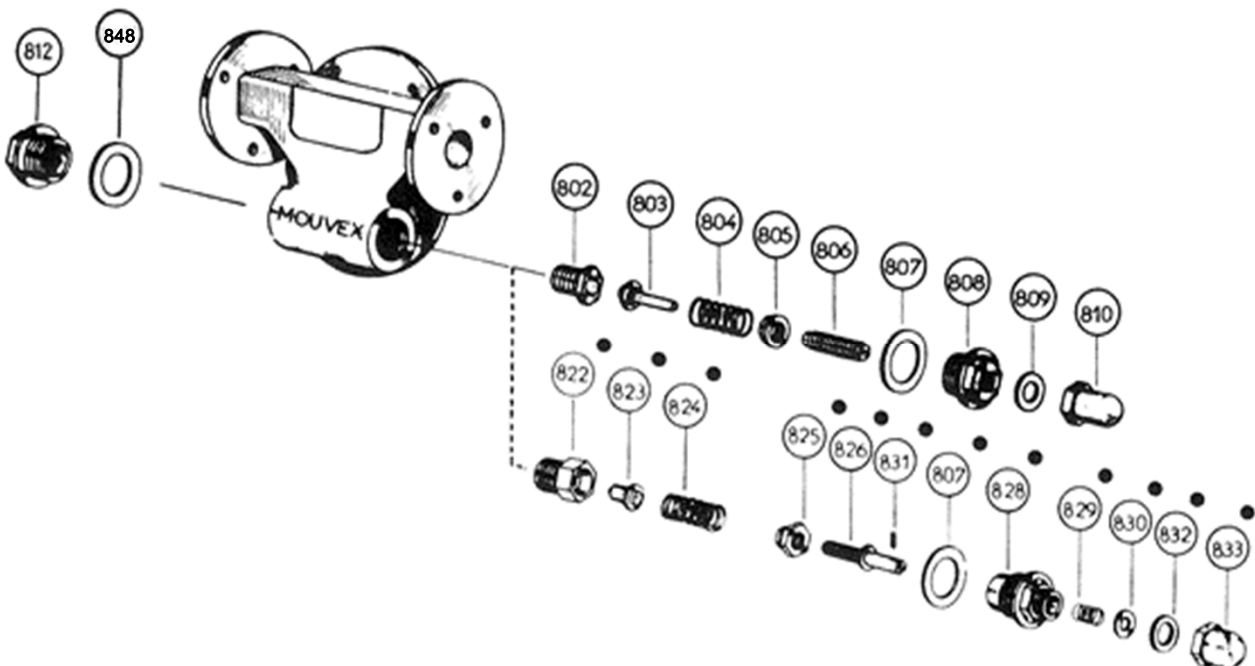
AB H



Mechanical seal



Bypass



AB H

* 1, 2, 4... : Quantity in equipment - (1), (2), (4)... : Quantity in kit

Item	Available	Description	Qty*	Ref.	Maintenance kit	Wear part
98	◆	FULL SET OF SCREWS	1	301278.00		
107		SCREW	(5)			
410		SCREW	(5)			
706		SCREW	(3)			
99	◆	FULL SET OF SEALS FKM	1	301280.00	■	
104		SEAL	(1)			
403	◆	O-RING	1	200828		
101A	◆	MAIN BODY	1	203453		
200	◆	CYLINDER, COMPLETE	1	301265.01	■	
201		CYLINDER	(1)			●
204	◆	BUSHING	1	201236	■	●
300	◆	COMPLETE PISTON	1	303004.01	■	●
3010		PISTON + BLOCK PIN	(1)			
3980	◆	SLIDE BLOCK, COMPLETE	1	305211.01		
307	◆	SLIDE BLOCK + BUSHING	1	316827.00		
306		BUSHING	(1)			
312		SLIDE BLOCK	(1)			
308		WASHER	(1)			
309		NUT	(1)			
400	◆	COMPLETE FRONT COVER	1	301269.00		
401		FRONT COVER	(1)			
402	◆	FRONT BUSHING SET AND GUIDE BLOCK	1	301271.00		
310		SPRING	(2)			
311		BACK PISTON SUPPORT	(2)			●
404		GUIDE	(1)			●
405		SCREW	(4)			
412		SEAL	(1)			
434		PLUG	(1)			
403	◆	O-RING	1	200828		
500	◆	SHAFT COMPLETE	1	312266.02	■	
501	◆	SHAFT	1	219460		
503	◆	PISTON BEARING	1	203464		●
598	◆	BEARING SPRING COMPLETE	1	300238.00		
504		SPRING	(1)			
507		BUSHING	(1)			
600	◆	MECHANICAL SEAL MONODIR LR VT	1	301276.00	■	
604		STATIONARY SEAL FACE	(1)			
605		SEAL	(1)			
606		WASHER	(1)			
612		SEAL HOUSING	(1)			●
613		O-RING	(1)			
614		SPRING BASE	(1)			
615		SPRING	(1)			
627	◆	PIN	1	200115		
641		DRIVER	(1)			
699	◆	FULL SET OF MOUNTING SCREWS FKM	1	301282.00		
605		SEAL	(1)			
613		O-RING	(1)			
704		RING	(1)			
700	◆	BALL BEARINGS COMPLETE	1	301277.00		
701		BEARING CAGE	(1)			
703	◆	BALL BEARING	1	200545		●
704		RING	(1)			
705		BEARING COVER	(1)			

AB H

* 1, 2, 4... : Quantity in equipment - (1), (2), (4)... : Quantity in kit

Item	Available	Description	Qty*	Ref.	Maintenance kit	Wear part
800	◆	BYPASS COMPLETE	1	300278.00		
804	◆	SPRING	1	201171		
810	◆	BYPASS CAP	1	203388		
812		PLUG	(1)			
861	◆	SET VALVE SEAT	1	300279.00		
802		VALVE SEAT	(1)			
803		VALVE	(1)			
805		SPRING GUIDE	(1)			
898	◆	SET ADJUSTING SCREW	1	300280.00		
806		ADJUSTING SCREW	(1)			
808		NUT	(1)			
899	◆	SET OF BYPASS SEALS	1	300281.00	■	
807		SEAL	(1)			
809		SEAL	(1)			
848		SEAL	(1)			